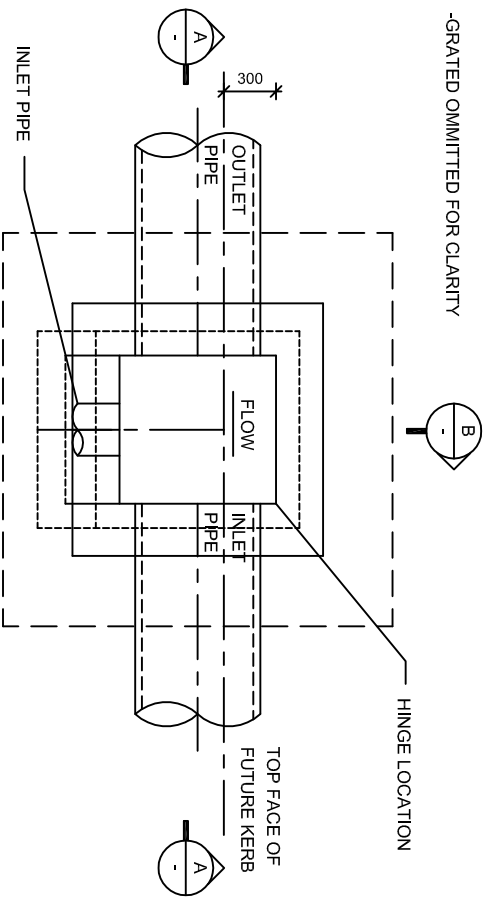


**NOTES:**

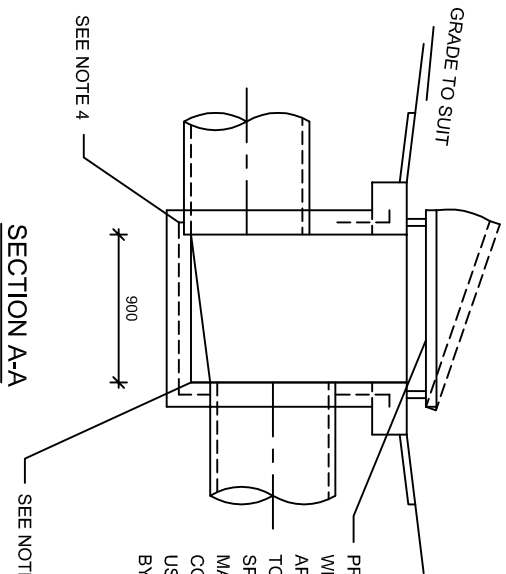
1. ALL DIMENSIONS ARE IN MILLIMETRES.
2. WELDBLOCK GRATE SHOWN OR APPROVED EQUIVALENT TO BE USED. GRATE AND FRAME TO BE HOT DIP GALVANISED 80-85 MICRONS THICK. ALL GRATES TO BE PROVIDED WITH HINGE PINS & LOCKING BOLTS.
3. PROVIDE STEP IRONS FOR PITS DEEPER THAN 1.2m.
4. MINIMUM THICKNESS OF WALLS AND BASE TO BE 150mm.
5. ALL PITS TO HAVE A MINIMUM OF S182 MESH IN BASE AND N12 "L" STARTER BARS (450 LEGS) @400 CTRS.
6. PITS BETWEEN 1.5m & 2.5m DEEP TO HAVE S182 MESH CENTRALLY PLACED IN WALLS FOR FULL DEPTH WITH N12 "L" CORNER BARS (450 LEGS) @400 CTRS.
7. PITS DEEPER THAN 2.5m OR LONGER THAN 900 OR 1450 WIDE SHALL BE DESIGNED BY A QUALIFIED ENGINEER.
8. PITS POURED IN MULTIPLE HEIGHT SECTIONS SHALL INCLUDE S182 MESH OR N12 STARTER BARS (400 LONG) @300 CTRS.
9. COMPRESSIVE STRENGTH (FC) FOR CAST INSITU CONCRETE SHALL BE A MINIMUM 25 MPa @ 28 DAYS.
10. NO RENDERING PERMITTED IN STRUCTURAL COMPONENTS.
11. ALL PITS TO BE ADEQUATELY STREAMLINED AND BENCHED.
12. 100Ø SOCKED SUBSOIL DRAINAGE PIPE 3m LONG TO BE PROVIDED ADJACENT TO INLET PIPES.
13. WHERE NOMINATED BY THE ENGINEER PROVIDE MINIMUM 2 WHITE REFLECTORISED GUIDE POSTS EITHER SIDE OF PIT.
14. PITS TO BE LOCATED OUTSIDE CLEAR ZONE (REFER RTA GUIDELINES) UNLESS DIRECTED OTHERWISE.



PLAN

* PIT WIDTH REQUIRED	PIPE DIAMETER RANGE
900	600mm TO 750mm INCL.
1200	825mm TO 900mm INCL.
D+250	FOR PIPES > 900mm
ND+1250/(N-1)+250	FOR MULTIPLE PIPES

(WHERE N=NUMBER OF LINES)

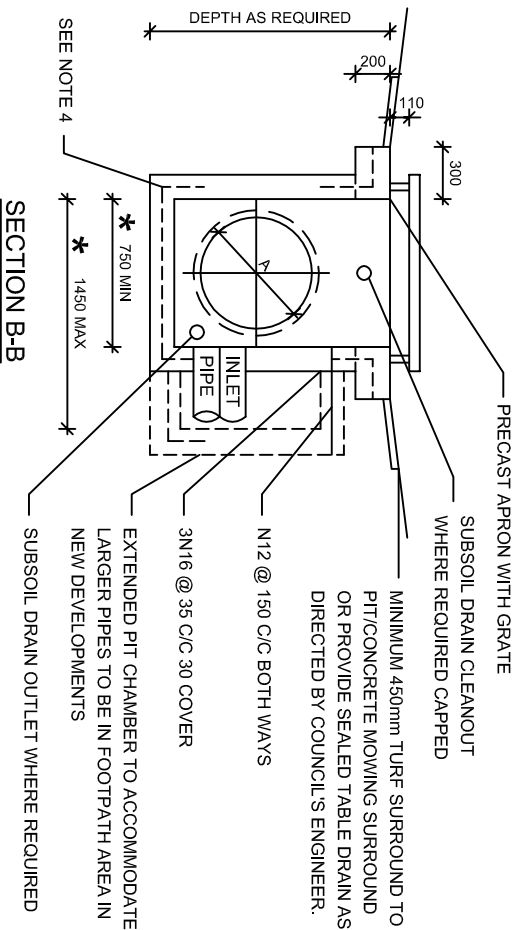


SECTION A-A

PROVIDE & INSTALL WELDBLOCK GRATE OR APPROVED EQUIVALENT TO MANUFACTURERS SPECIFICATIONS. GRATE MAY BE "FLUSH" OR CONCRETE LIDS MAY BE USED WHERE DIRECTED BY COUNCIL

SEE NOTE 9

SECTION B-B



WORK TO FIGURED DIMENSIONS - DO NOT SCALE. DO NOT RELY ON THESE STANDARD DRAWINGS AS THE EQUIVALENT OF, OR SUBSTITUTE FOR, PROJECT-SPECIFIC DESIGN & ASSESSMENT BY A QUALIFIED PROFESSIONAL.

VERSION	DATE	COMMENTS
01	19/10/11	ORIGINAL ISSUE



126-138 MAIN ROAD  
SPEERS POINT  
PHONE (02)4921 0333  
www.lakemac.com.au

DRAWING TITLE  
**RAISED GRATED "LETTERBOX" OR "JUNCTION" PIT**

EGSD-403

VERSION:  
01