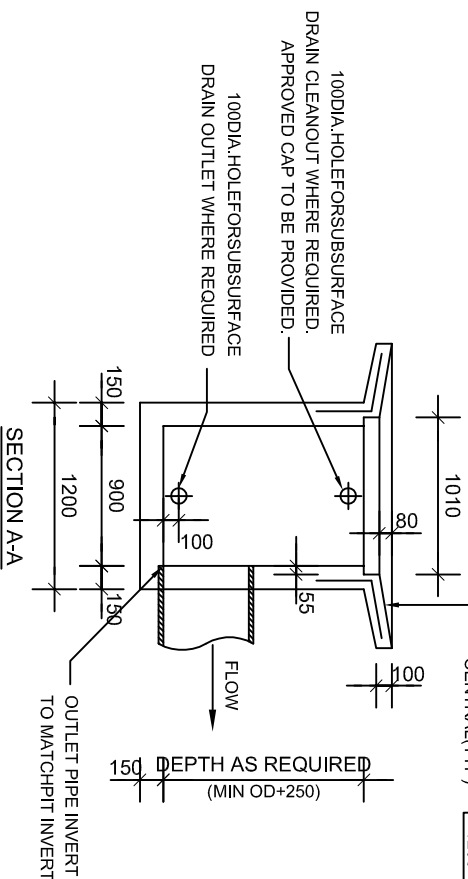
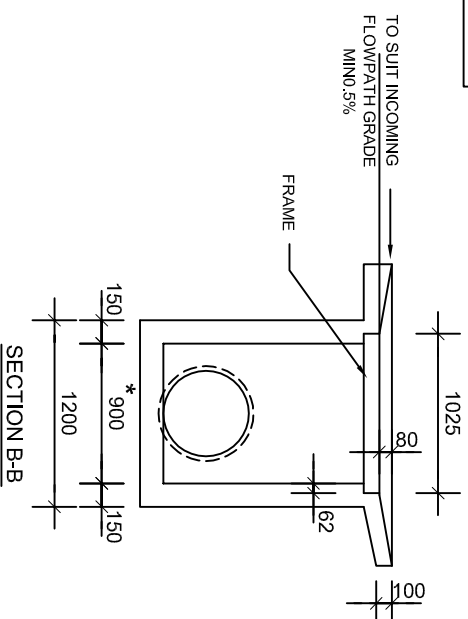


* PIPE DIAM RANGE
900
600 mm TO 750mm INCL
1200
825mm TO 900mm INCL



- NOTES:**
1. ALL DIMENSIONS ARE IN MILLIMETRES.
 2. FOR DETAILS OF GULLY GRATING AND FRAME SEE WEDLOCK GRATE CODE PC9090B OR APPROVED EQUIVALENT. ALL GRATES TO BE PROVIDED WITH LOCKING BOLTS. HINGES TO BE LOCATED ON UPSTREAM SIDE.
 3. PROVIDE STEP IRONS FOR PITS DEEPER THAN 1.2m
 4. MINIMUM THICKNESS OF WALLS AND BASE TO BE 150mm.
 5. ALL PITS TO HAVE A MINIMUM OF SL82 MESH IN BASE AND N12 "L" STARTER BARS (450LEGS) @ 400 CTRS.
 6. PITS BETWEEN 1.5m & 2.5m DEEP TO HAVE SL82 MESH CENTRALLY PLACED IN WALLS FOR FULL DEPTH WITH N12 "L" CORNER BARS (450LEGS) @ 400 CTRS.
 7. PITS DEEPER THAN 2.5m OR LONGER THAN 900 OR 1450 WIDE SHALL BE DESIGNED BY A QUALIFIED ENGINEER.
 8. PITS POURED IN MULTIPLE HEIGHT SECTIONS SHALL INCLUDE SL82 MESH OR N12 STARTER BARS (400LONG) @ 300 CTRS.
 9. COMPRESSIVE STRENGTH (FC) FOR CAST INSITU CONCRETE SHALL BE A MINIMUM 25 MPa @ 28 DAYS.
 10. NO RENDERING PERMITTED IN STRUCTURAL COMPONENTS.
 11. ALL PITS TO BE ADEQUATELY STREAMLINED AND BENCHED.
 12. PROVIDE MIN 450mm PINNED TURF SURROUND.
 13. SHAPE ADJACENT AREAS TO ASSIST WATER COLLECTION.



WORK TO FIGURED DIMENSIONS - DO NOT SCALE. DO NOT RELY ON THESE STANDARD DRAWINGS AS THE EQUIVALENT OF, OR SUBSTITUTE FOR, PROJECT-SPECIFIC DESIGN & ASSESSMENT BY A QUALIFIED PROFESSIONAL.

VERSION	DATE	COMMENTS
01	19/10/11	ORIGINAL ISSUE



126-138 MAIN ROAD
SPEERS POINT
PHONE (02)4921 0333
www.lakemac.com.au

DRAWING TITLE
**FLUSH GRATED SURFACE INLET PIT
-DEPRESSED**

SHEET: 1 OF 1

DRAWING No. EGSD-402

VERSION: 01