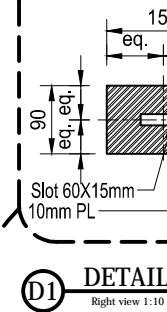


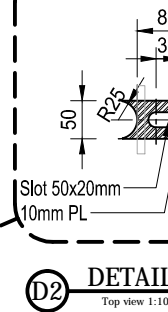
**ELEVATION**  
1:50 at A4

**NOTES:**

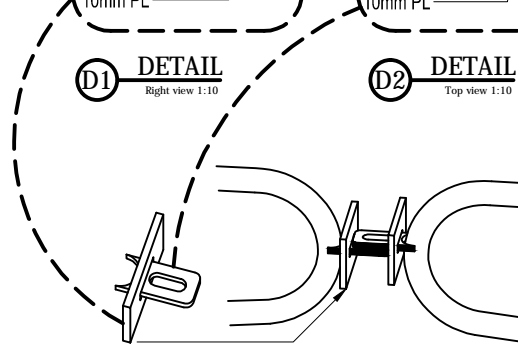
1. Gate to be lockable.
2. Gate is 6100 wide to allow ease of access for emergency vehicles.
3. All welds to be 6mm continuous fillet.
4. All burrs and rag are to be removed.
5. Posts are to be hot dipped galvanized after fabrication.
6. Footing shall be 900mm deep and 450mm dia and filled with concrete F'c= 20MPa, in stable foundation, or to engineers detail in unstable foundation.
7. All work will be to a tradesman finish.
8. Contractor to check all dimensions both in factory and on site.
9. Leave Detail 3 and 5 off until erection on site then weld in place and cold gal.
10. Make chain no more than 300mm long.
11. All pipe shall be heavy wall pipe.



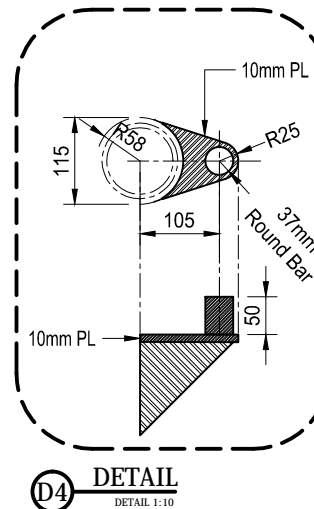
**D1** DETAIL  
Right view 1:10



**D2** DETAIL  
Top view 1:10



**D3** DETAIL  
1:10



**D4** DETAIL  
DETAIL 1:10

VERSION	DATE	COMMENTS	PAPER SIZE
03	05/2013	Draft for DCP.	A4
02	02/09/2009	Revised for inclusion in DCP amendments.	A3
01	05/1999	Created by RAP.	A3

WORK TO FIGURED DIMENSIONS - DO NOT SCALE. DO NOT RELY ON THESE STANDARD DRAWINGS AS THE EQUIVALENT OF, OR SUBSTITUTE FOR, PROJECT-SPECIFIC DESIGN & ASSESSMENT BY A QUALIFIED PROFESSIONAL.



126-138 MAIN ROAD  
SPEERS POINT  
PHONE (02)4921 0333  
[www.lakemac.com.au](http://www.lakemac.com.au)  
SHEET: 1 OF 1

DRAWING TITLE  
Double Swing Gate  
DRAWING No: EDSD-604

VERSION: 3