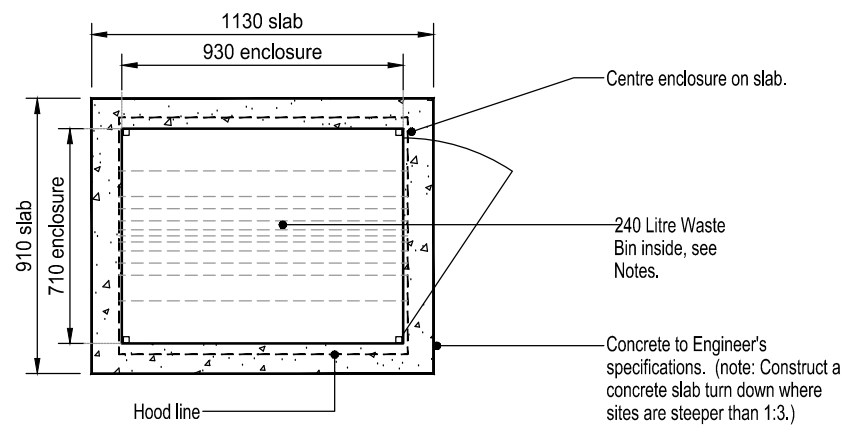
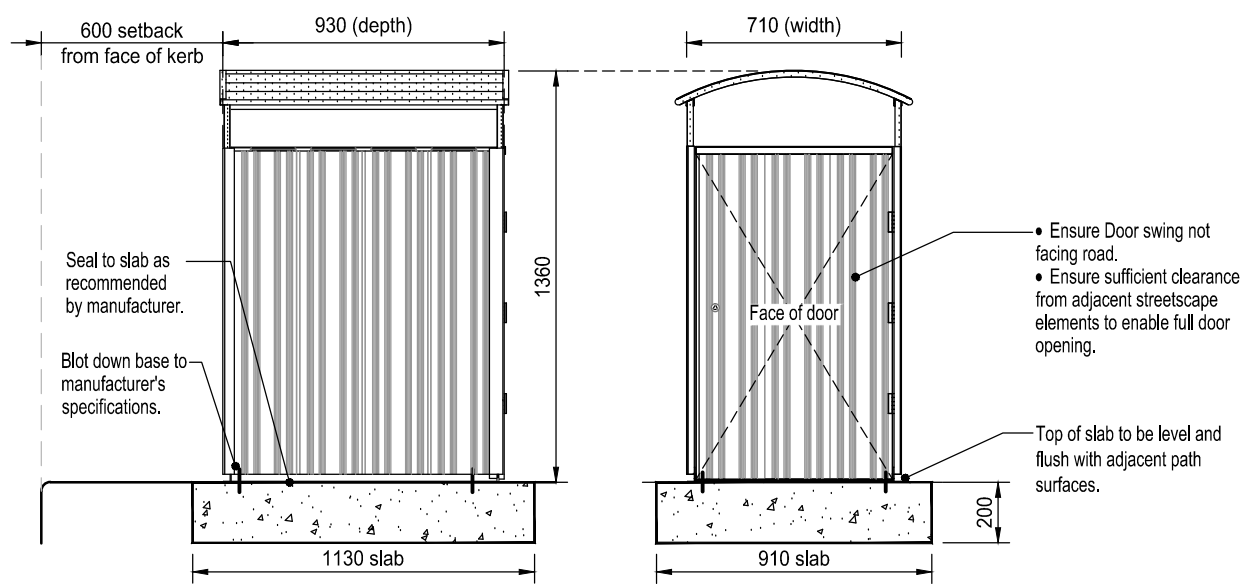


**FOR INFORMATION ONLY
NOT FOR CONSTRUCTION**



PLAN



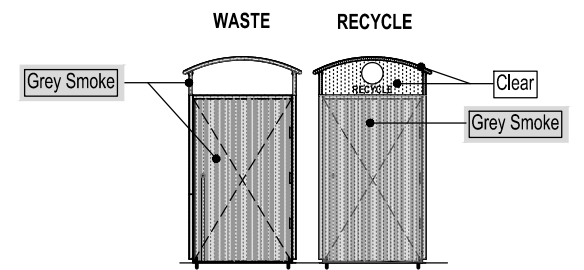
ELEVATION 1 - side

ELEVATION 2 - door face

1 TYPICAL WASTE BIN
scale 1:25

Notes

- Product Gossi Park Bayside Bin or approved equivalent.
930 d x 710 w x 1360 h mm
Self extinguishing design
Anodised Aluminium
Slam door latch
Fixed Hood
Triangular Drive shaft lock system
Restrictor hood - Recycling enclosures only.
- Liner
240L recycled plastic mobile garbage bin conforming with Australian Standard AS4123.1, dimensioned to fit inside enclosure.
- Colour finish notes
Waste Bin :
Cabinet + Hood colour finish – Grey Smoke Anodised
Recycle Bin :
Cabinet colour finish – Grey Smoke Anodised
Hood + Restrictor colour finish – Clear Anodised
- Signage
To be affixed to bins by Council.
- Asset Handover
Submit keys to Council's Project Manager upon Asset Handover. Council's Project Manager to notify Waste Services and Sustainable Living officers for inclusion on collection routes.



2 COLOUR FINISH DIAGRAM
scale 1:25

WORK TO FIGURED DIMENSIONS – DO NOT SCALE. DO NOT RELY ON THESE STANDARD DRAWINGS AS THE EQUIVALENT OF, OR SUBSTITUTE FOR, PROJECT-SPECIFIC DESIGN & ASSESSMENT BY A QUALIFIED PROFESSIONAL.



126-138 MAIN ROAD
SPEERS POINT
PHONE (02)4921 0333
www.lakemac.com.au
SHEET: 1 OF 1

DRAWING TITLE
Standard Drawings - Furniture
Bin enclosure
DRAWING No: LSD-BIN-01
VERSION: 2

VERSION	DATE	COMMENTS	PAPER SIZE
2	2015-11	Amended format, Review 2015.	A4
1	2013-05	Final for DCP.	A4